



HYDRANT LOCATION

Originator: **RCS**

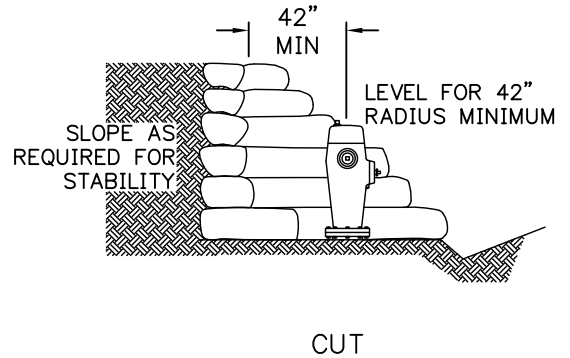
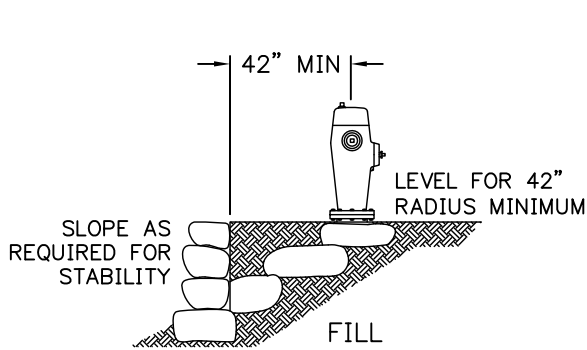
Standards Approval:
Ron Slabaugh

Date: **3/12/2019**

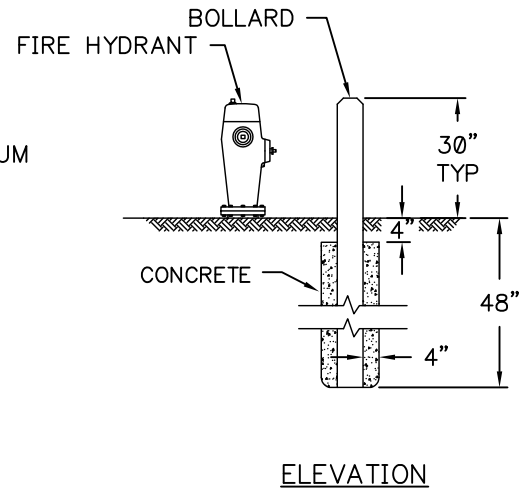
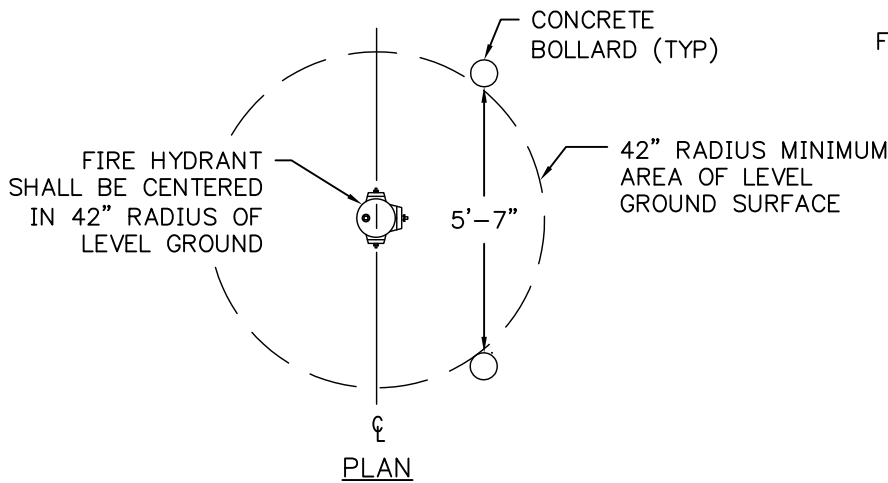
Rev #: Revision Description:

1 **2019 UPDATES**

FIRE HYDRANT LOCATION IN CUT OR FILL



FIRE HYDRANT BOLLARDS (IF REQ'D BY THE DISTRICT)



NOTES:

1. ROCK, LANDSCAPE BRICK, OR HILL HOLDER TO PROVIDE SLOPE STABILIZATION.
2. CONCRETE BOLLARD SHALL BE SET IN 3000 PSI CONCRETE.