



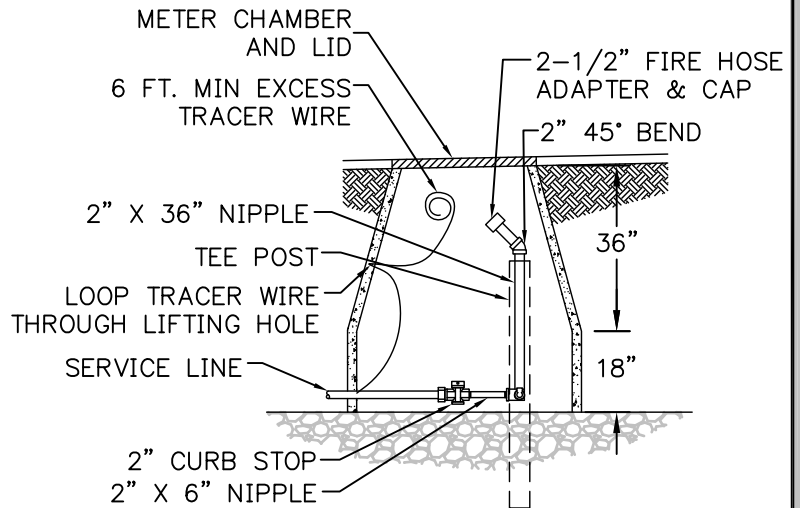
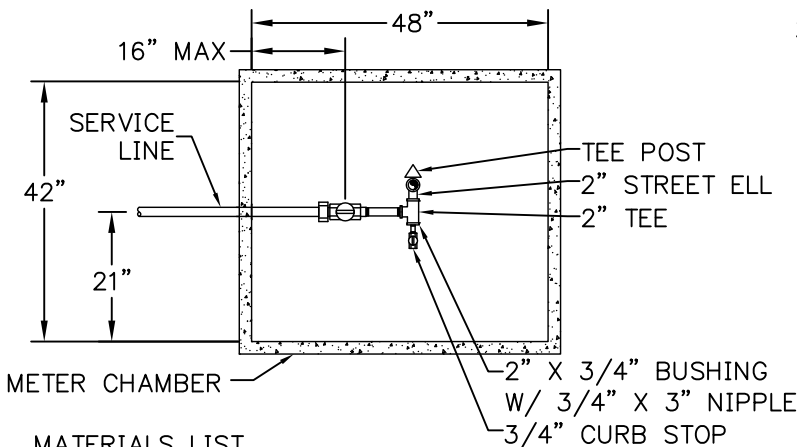
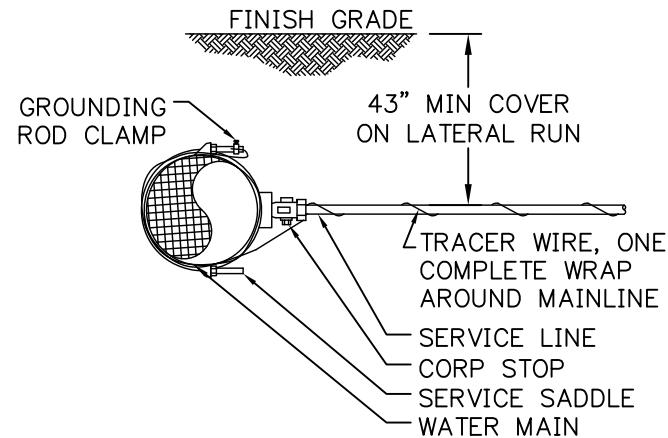
BLOW OFF HYDRANT

Originator: **RCS**

Standards Approval:
Ron Slabaugh

Date: **3/12/2019**

Rev #: **3** Revision Description:
2019 UPDATES



NOTES

1. SEE DETAIL W113 FOR METER CHAMBER INSTALLATION.
2. INSTALLATION OF TRACER WIRE IS REQUIRED FOR ALL HDPE SERVICE LINES.
3. ALL BRASS FITTINGS TO BE DOMESTIC BRASS.
4. COPPER SERVICE LINES ARE REQUIRED WHEN SERVICE PRESSURE IS GREATER THAN 150 PSI.
5. FILL LIFTING HOLES WITH EXPANSION FOAM.

MATERIALS LIST

- (1) WATER METER CHAMBER – 3' HEIGHT TAPERED TOP W/ 18" BOTTOM, WILBERT PRECAST, OR EQUAL
- (1) WATER METER CHAMBER LID – CCPUD STANDARD, NON AMR LIGHT DUTY, D&L FOUNDRY OR EQUAL.
- (1) 2" SERVICE SADDLE – ROMAC 202S
- (1) 2" CORPORATION STOP – BRASS MIPT X COMP, FORD FB1100-7-Q, OR EQUAL
- (1) 2" CURB STOP – BRASS COMP X FIPT, FORD B41-777-Q, OR EQUAL
- (1) 3/4" CURB STOP – BRASS FIPT X FIPT, FORD B11-333, OR EQUAL
- (1) 2" X 6" NIPPLE, BRASS
- (1) 2" TEE, BRASS
- (1) 2" X 3/4" BUSHING, BRASS
- (1) 3/4" X 3" NIPPLE, BRASS
- (1) 2" STREET ELL, **BRASS**
- (1) 2" X 36" NIPPLE, **BRASS GALV**
- (1) 2" 45° BEND, **BRASS GALV**
- (1) 2-1/2" FIRE HOSE ADAPTOR WITH CAP
- (1) 5/8" GROUNDING ROD CLAMP – ERITECH HDC58
- (2) 2" POLY INSERTS – CTS STAINLESS STEEL MINIMUM 2-3/8" LENGTH
- (FT) 2" HDPE SDR 9 OR 2" TYPE K COPPER (WHEN SERVICE PRESSURE IS GREATER THAN 150 PSI) SERVICE LINE W/ 12 GAUGE SOLID CORE BLUE COATED COPPER TRACER WIRE.
- (6") DRAIN ROCK FLUSH TO PIPE ASSEMBLY INSIDE VAULT
- (1) 4' TEE POST
- (3) 100# CABLE TIES