

**- Water Standards -**

Standard Number: **W105**

CHELAN COUNTY  
**PUBLIC UTILITY DISTRICT**  
*Owned By The People We Serve*



**1-1/2" SINGLE WATER SERVICE**

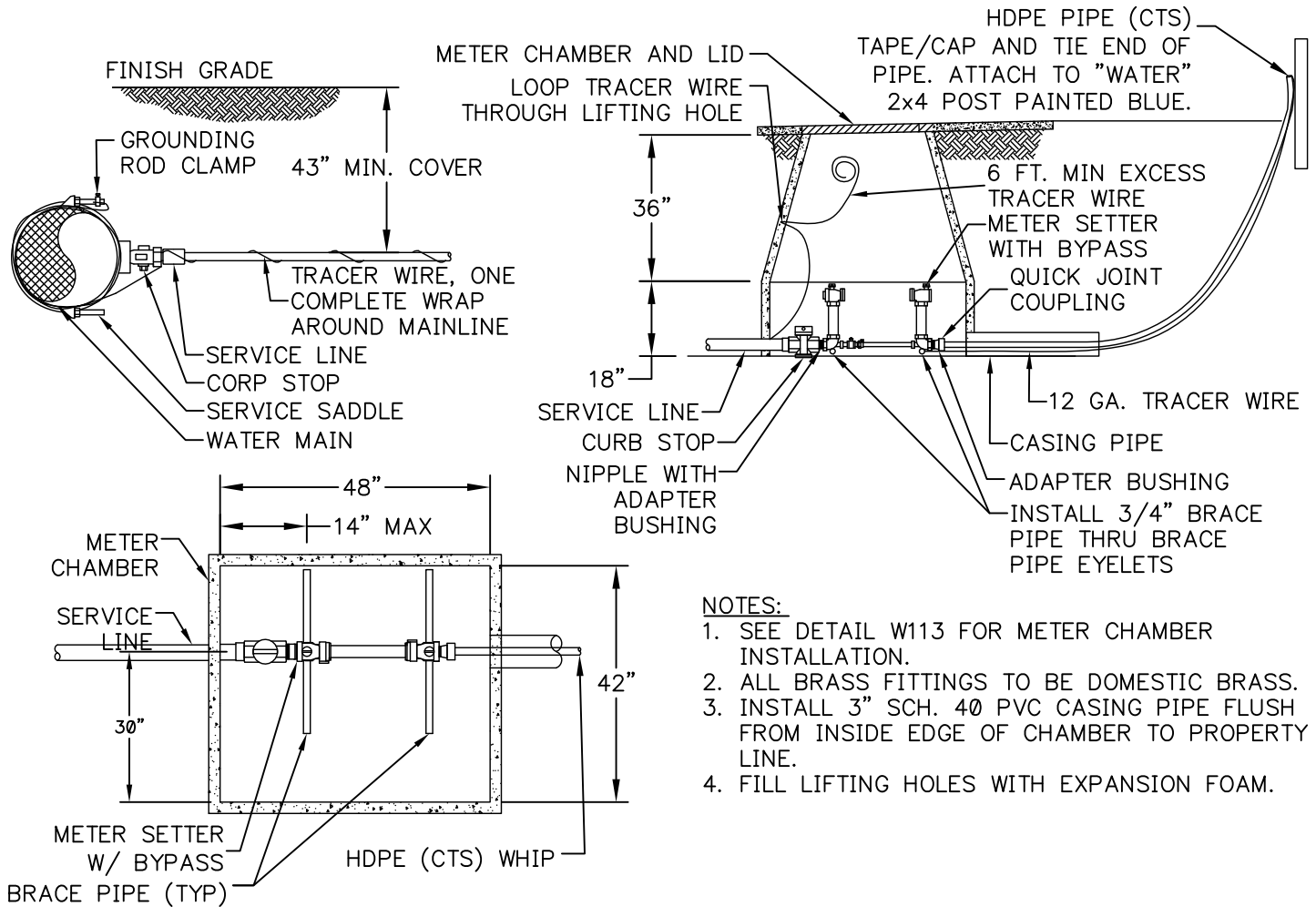
Originator: **RCS**

Standards Approval:  
**Ron Slabaugh**

Date: **3/12/2019**

Page 1 of 1

Rev #: **4**      Revision Description:  
**2019 UPDATES**



**NOTES:**

1. SEE DETAIL W113 FOR METER CHAMBER INSTALLATION.
2. ALL BRASS FITTINGS TO BE DOMESTIC BRASS.
3. INSTALL 3" SCH. 40 PVC CASING PIPE FLUSH FROM INSIDE EDGE OF CHAMBER TO PROPERTY LINE.
4. FILL LIFTING HOLES WITH EXPANSION FOAM.

**MATERIALS LIST**

- (1) WATER METER CHAMBER - 3' HEIGHT TAPERED TOP W/ 18" BOTTOM, TRAFFIC RATED WHEN SHOWN ON DRAWINGS, WILBERT PRECAST, OR EQUAL
- (1) WATER METER CHAMBER LID - CCPUD STANDARD WITH (1) AMR CAP HOLE, D&L FOUNDRY OR EQUAL.
- (1) 2" SERVICE SADDLE - ROMAC 202S
- (1) 2" CORPORATION STOP - BRASS MIP X COMP, FB1100-7-Q, OR EQUAL
- (1) 5/8" GROUNDING ROD CLAMP - ERITECH HDC58
- (FT) 2" HDPE CTS SDR 9 SERVICE LINE W/ 12 GAUGE SOLID CORE BLUE COATED COPPER TRACER WIRE
- (1) 2" CURB STOP - BRASS COMP X FIPT, FORD B41-777-Q, OR EQUAL
- (1) 2" BRASS NIPPLE, 3" LENGTH
- (1) 2" FPT X 1-1/2" MPT ADAPTER BUSHING
- (1) 1-1/2" METER SETTER - BRASS W/ (2) 1-1/2" ANGLE BALL VALVES WITH BYPASS, FORD VBB76-12B-11-66, OR EQUAL
- (3) 2" POLY INSERTS - CTS STAINLESS STEEL MINIMUM 2-3/8" LENGTH
- (1) 1-1/2" X 2" ADAPTER BUSHING
- (1) 2" QUICK JOINT COUPLING - BRASS COMP X MIPT, FORD C84-66-Q, OR EQUAL
- (1) 3" PVC CASING PIPE SCH 40.
- (1) WATER STAKE FOR CASING PIPES AT PROPERTY LINE
- (1) 1-1/2" HDPE (CTS) WHIP