



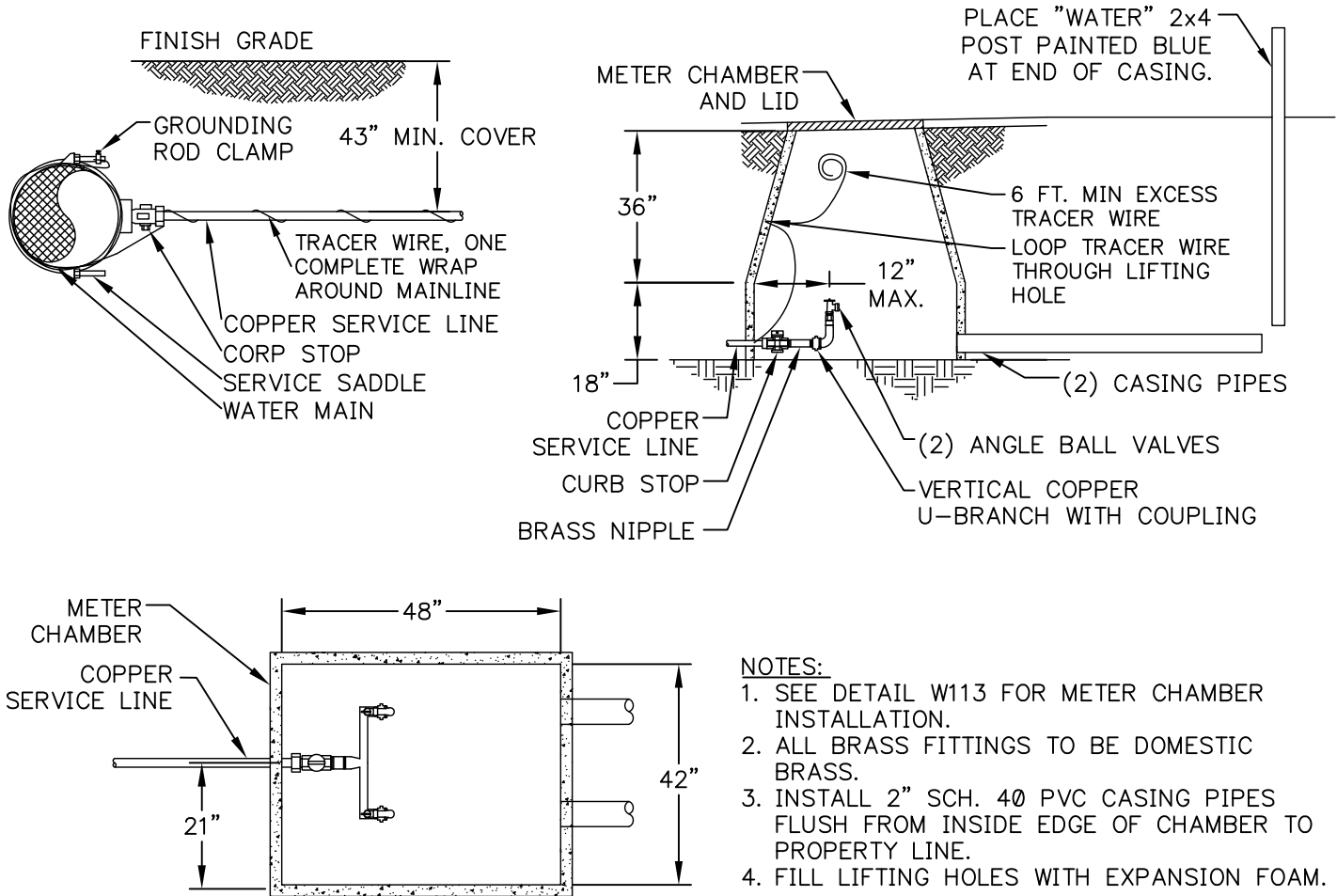
**DOUBLE WATER SERVICE
FOR PRESSURE GREATER THAN 150 PSI**

Originator: **RCS**

Standards Approval:
Ron Slabaugh

Date: **3/12/2019**

Rev #: **4** Revision Description:
2019 UPDATES



- NOTES:**
1. SEE DETAIL W113 FOR METER CHAMBER INSTALLATION.
 2. ALL BRASS FITTINGS TO BE DOMESTIC BRASS.
 3. INSTALL 2" SCH. 40 PVC CASING PIPES FLUSH FROM INSIDE EDGE OF CHAMBER TO PROPERTY LINE.
 4. FILL LIFTING HOLES WITH EXPANSION FOAM.

MATERIALS LIST

- (1) WATER METER CHAMBER – 3' HEIGHT TAPERED TOP W/ 18" BOTTOM, TRAFFIC RATED WHEN SHOWN ON DRAWINGS, WILBERT PRECAST, OR EQUAL
- (1) WATER METER CHAMBER LID – CCPUD STANDARD WITH (2) AMR CAP HOLES, D&L FOUNDRY OR EQUAL.
- (1) 1 1/2" SERVICE SADDLE – ROMAC 202S
- (1) 1 1/2" CORPORATION STOP – BRASS MIP X COMP, FORD FB1100-6-Q, OR EQUAL
- (FT) 1 1/2" COPPER TYPE K SERVICE LINE W/ 12 GAUGE SOLID CORE BLUE COATED COPPER TRACER WIRE
- (1) 5/8" GROUNDING ROD CLAMP – ERITECH HDC58
- (1) 1 1/2" CURB STOP – BRASS COMP X FIPT, FORD B41-666-Q, OR EQUAL
- (1) 1-1/2" BRASS NIPPLE, 3" LENGTH
- (1) 1 1/2" VERTICAL U-BRANCH – BRASS 1-1/2" MIPT HORIZONTAL OUTLET, (2) 1" MIPT VERTICAL OUTLETS, FORD UA88-64-12, OR EQUAL
- (1) 1-1/2" X 1-1/2" COUPLING
- (2) 1" ANGLE BALL METER VALVES – BRASS FIPT X METER SWIVEL NUT, FORD BA13-444W, OR EQUAL
- (2) 2" PVC CASING PIPES SCH 40.
- (2) WATER STAKES FOR CASING PIPES AT PROPERTY LINE