



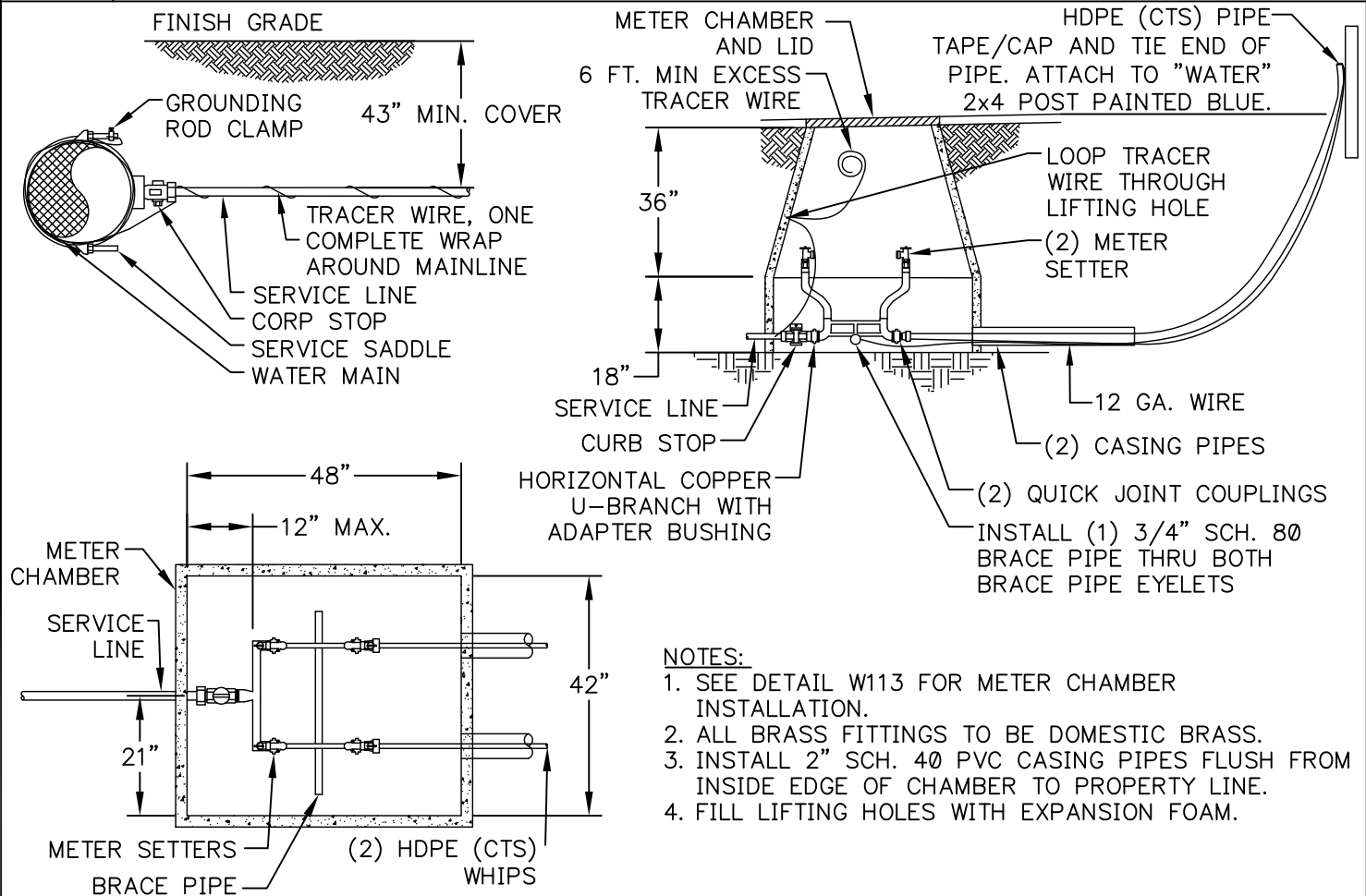
**DOUBLE WATER SERVICE
FOR PRESSURE LESS THAN 150 PSI**

Originator: **RCS**

Standards Approval:
Ron Slabaugh

Date: **3/12/2019**

Rev #: **5** Revision Description:
2019 UPDATES



- NOTES:**
1. SEE DETAIL W113 FOR METER CHAMBER INSTALLATION.
 2. ALL BRASS FITTINGS TO BE DOMESTIC BRASS.
 3. INSTALL 2" SCH. 40 PVC CASING PIPES FLUSH FROM INSIDE EDGE OF CHAMBER TO PROPERTY LINE.
 4. FILL LIFTING HOLES WITH EXPANSION FOAM.

MATERIALS LIST

- (1) WATER METER CHAMBER – 3' HEIGHT TAPERED TOP W/ 18" BOTTOM, TRAFFIC RATED WHEN SHOWN ON DRAWINGS, WILBERT PRECAST, OR EQUAL.
- (1) WATER METER CHAMBER LID – CCPUD STANDARD WITH (2) AMR CAP HOLES, D&L FOUNDRY OR EQUAL.
- (1) 2" SERVICE SADDLE – ROMAC 202S.
- (1) 2" CORPORATION STOP – BRASS MIP X COMP, FORD FB1100-7-Q, OR EQUAL.
- (FT) 2" HDPE SDR 9 SERVICE LINE W/ 12 GAUGE SOLID CORE BLUE COATED COPPER TRACER WIRE.
- (1) 5/8" GROUNDING ROD CLAMP – ERITECH HDC58
- (2) 2" POLY INSERTS – CTS STAINLESS STEEL MINIMUM 2-3/8" LENGTH DOMESTIC.
- (1) 2" CURB STOP – BRASS COMP X FIPT, FORD B41-777-Q, OR EQUAL.
- (1) 2" X 1-1/2" ADAPTER BUSHING
- (1) 1-1/2" HORIZONTAL U-BRANCH – BRASS 1" MIPT HORIZONTAL OUTLET.
- (2) 1" MIPT HORIZONTAL OUTLETS, FORD U88-64-12.
- (2) 1" METER SETTERS – BRASS W/ (2) 1" ANGLE BALL VALVES, FORD VBB74-10W-11-44-FP, OR EQUAL.
- (2) 1" QUICK JOINT COUPLINGS – BRASS COMP X MIPT, FORD C84-44-Q, OR EQUAL.
- (2) 1" POLY INSERTS – CTS STAINLESS STEEL MINIMUM 2-3/8" LENGTH.
- (2) 2" PVC CASING PIPE SCH 40.
- (2) WATER STAKES FOR CASING PIPE AT PROPERTY LINE.
- (2) 1" HDPE (CTS) WHIPS