



**1" SINGLE WATER SERVICE  
FOR PRESSURE GREATER THAN 150 PSI**

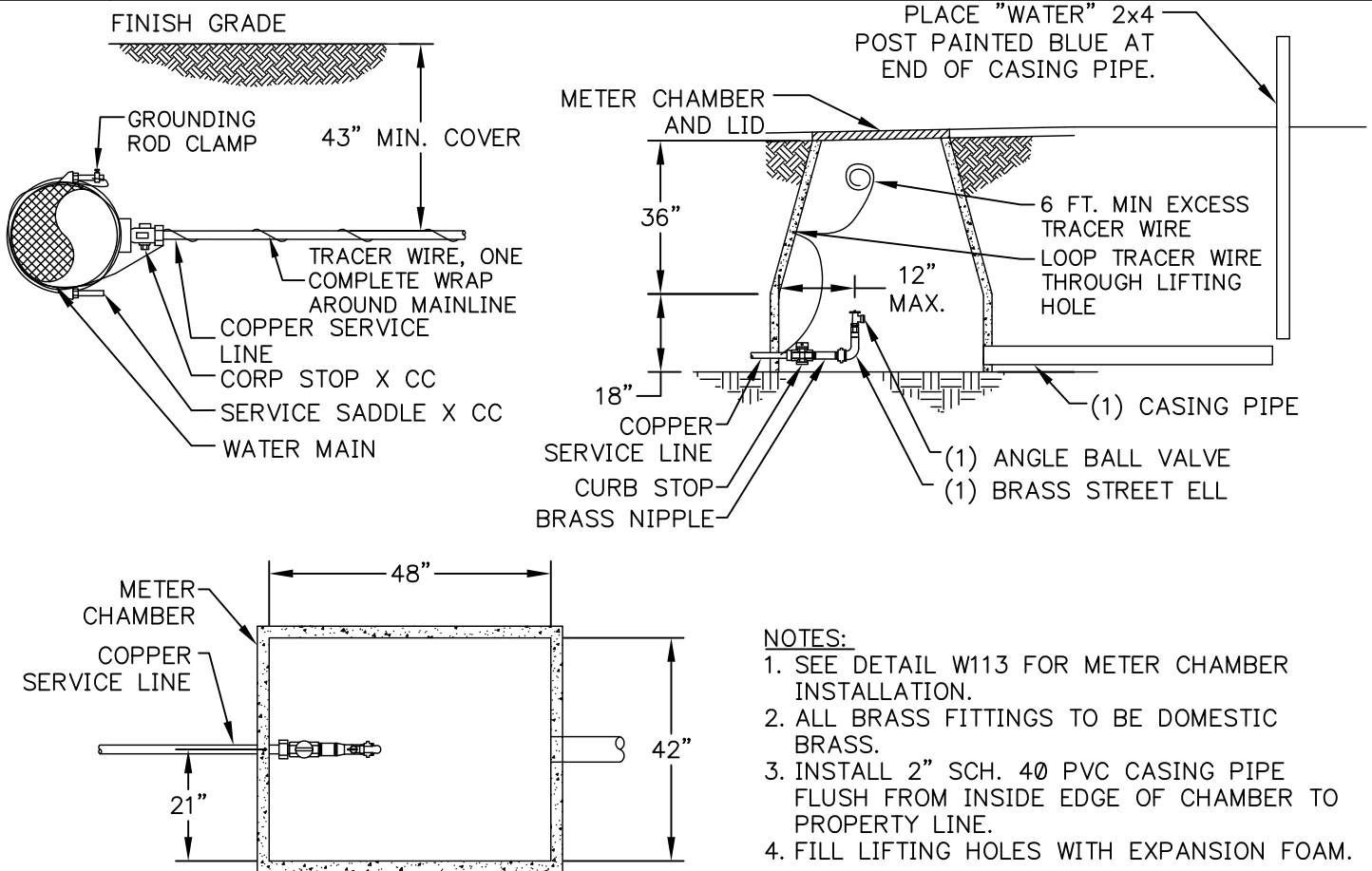
Originator: **RJS**

Standards Approval:  
**Ron Slabaugh**

Date: **3/12/2019**

Rev #: Revision Description:

**5 2019 UPDATES**



- NOTES:**
1. SEE DETAIL W113 FOR METER CHAMBER INSTALLATION.
  2. ALL BRASS FITTINGS TO BE DOMESTIC BRASS.
  3. INSTALL 2" SCH. 40 PVC CASING PIPE FLUSH FROM INSIDE EDGE OF CHAMBER TO PROPERTY LINE.
  4. FILL LIFTING HOLES WITH EXPANSION FOAM.

**MATERIALS LIST**

- (1) WATER METER CHAMBER – 3' HEIGHT TAPERED TOP W/ 18" BOTTOM, TRAFFIC RATED WHEN SHOWN ON DRAWINGS, WILBERT PRECAST, OR EQUAL
- (1) WATER METER CHAMBER LID – CCPUD STANDARD WITH (1) AMR CAP HOLE, D&L FOUNDRY OR EQUAL.
- (1) 1" SERVICE SADDLE – ROMAC 202S X CC.
- (1) 1" CORPORATION STOP – BRASS CC THREADS X COMP, FORD FB1000-4-Q, OR EQUAL.
- (FT) 1" COPPER TYPE K SERVICE LINE W/ 12 GAUGE SOLID CORE BLUE COATED COPPER TRACER WIRE.
- (1) 5/8" GROUNDING ROD CLAMP – ERITECH HDC58
- (1) 1" CURB STOP – BRASS COMP X FIPT, FORD B41-444-Q, OR EQUAL.
- (1) 1" BRASS NIPPLE, 3" LENGTH
- (1) 1" STREET ELL – BRASS FIPT X MIPT
- (1) 1" ANGLE BALL METER VALVE – BRASS FIPT X METER SWIVEL NUT, FORD BA13-444W, OR EQUAL
- (1) 2" PVC CASING PIPE SCH 40.
- (1) WATER STAKE FOR CASING PIPE AT PROPERTY LINE