



An aerial photograph of a large dam structure with multiple gates. The dam is situated on a river, and water is seen cascading over the gates. A blue callout box with a white background and a blue border contains the text "Gate 17". A blue line connects the callout box to a specific gate on the dam. The dam structure is concrete and features various mechanical components and walkways. In the background, there is a long, low building and a road. The foreground shows the turbulent water downstream of the dam, with a large electrical substation structure visible.

Gate 17



Gate 17 Upper Swing Rail Hinge (south side)

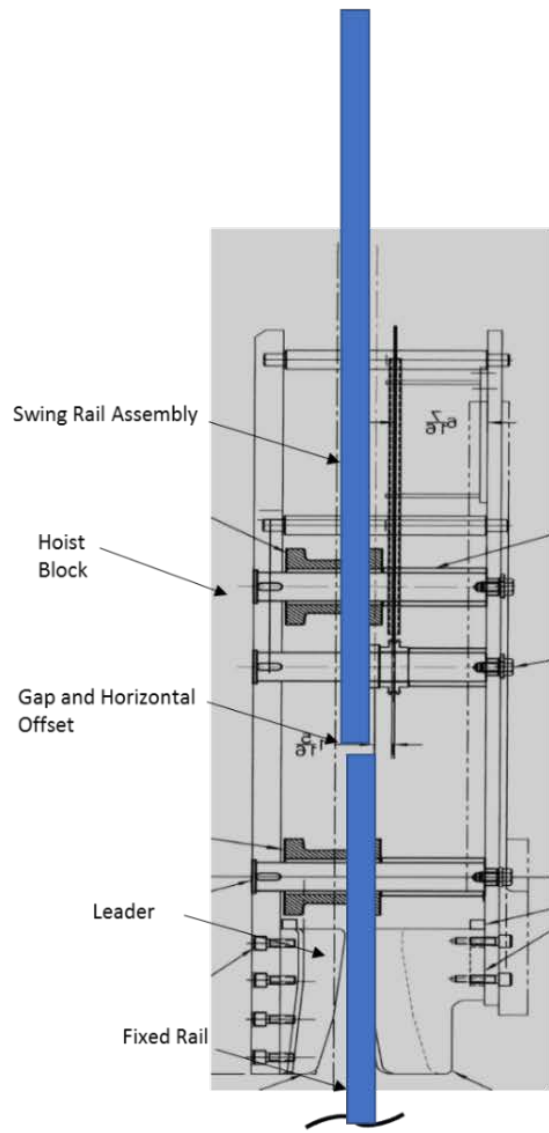
Gantry Crane Hoist Block

Lower Swing Rail Hinge

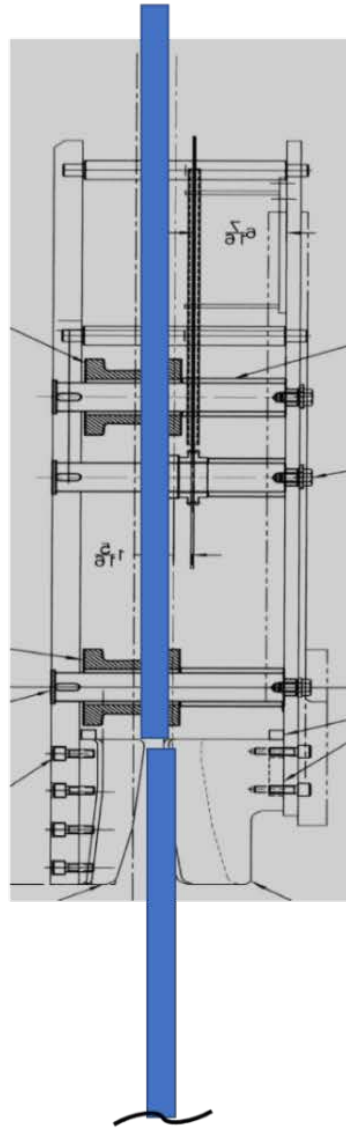
Swing Rail

**Swing Rail
Hinge Pin**

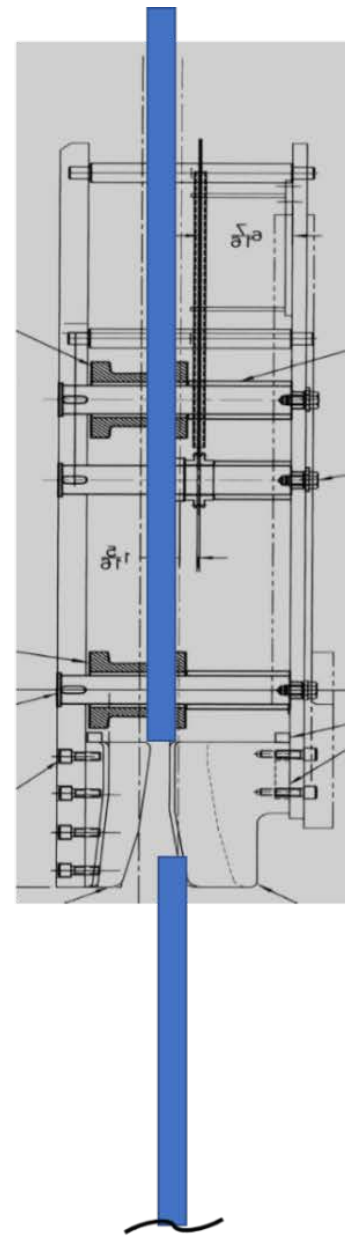




Step 1: Gate Lift Initiates



Step 2: Leader Catches Edge of Swing Rail



Step 3: Gate Lift Continues and Detaches Swing Rail