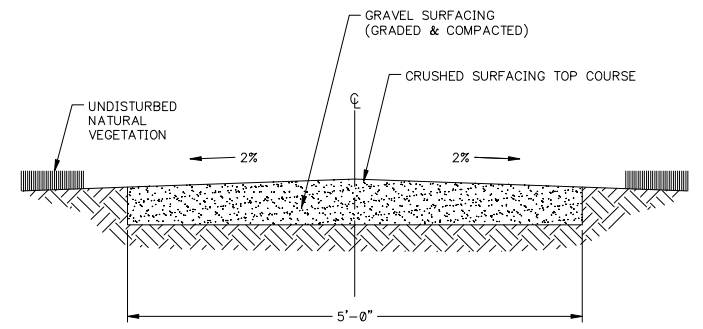


# Riverwalk Loop Trail Extension to Reach 1 Phase II



TRAIL LAYOUT PLAN  
SCALE: 1"=150'

TRAIL LENGTH:  
 PARKING LOT TO SCENIC LOOKOUT & INTERPRETIVE LOCATION = 4414.66 FT  
 SCENIC LOOKOUT & INTERPRETIVE LOCATION TO TRAIL END = 1696.91 FT  
 TOTAL 6111.57 FT



TYPICAL TRAIL SECTION  
SCALE: 1"=1'-0"

|                 |     |           |   |  |           |
|-----------------|-----|-----------|---|--|-----------|
| CHELAN PUD NO.1 |     | SCALE     | VERIFY SCALE  |  | BS<br>MPS |
| PRIM. ENG.      |     | SEE DWG   | IF NOT ONE INCH ON THIS SHEET, ADJUST SCALES ACCORDINGLY. |  |           |
| 2ND ENG.        | 0   | 9/13/2007 | 1"  |  | REQ. BY   |
| PROJ. MGR.      | REV | DATE      | REVISION  |  | DRFT      |

**PUBLIC UTILITY DISTRICT NO. 1 OF CHELAN COUNTY**  
 WENATCHEE, WASHINGTON

Chelan Riverwalk Park  
 RIVERWALK LOOP TRAIL EXTENSION  
 REACH 1 TRAIL PHASE II  
 DESIGN SKETCH

|                     |
|---------------------|
| SHEET 1 OF 1        |
| REVISION 0          |
| DATE 9/13/2007      |
| DWG. 0901-50SK-0011 |

DOCUMENT CLASS:

ID:

ORIGINAL DWG. #:

ORIG. DATE 9/13/2007 ORIG. DRAWN MPS