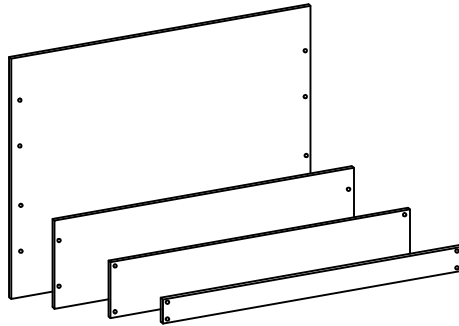




**CONTROL HOUSE SUBSTATION STANDARD
FILLER PANEL FOR UNIVERSAL RACK**

Originator: C. Bowman	Standards Approval: Don Smith
Approval: C. Bowman	Date: 2005-11-07

Rev #:	Revision Description:
0	NEW STANDARD



FILLER PANEL MOUNTING SPACES	
1U	1.72"
2U	3.47"
3U	5.22"
4U	6.97"
5U	8.72"
6U	10.47"
7U	12.22"
8U	13.97"
9U	15.72"
10U	17.47"
11U	19.22"
12U	20.97"

APPLICATION: BLANK FILLER PANELS, FOR 19" RACK-USED TO FILL UNUSED SPACE OR MOUNT EQUIPMENT

COMMON NAME: 19" RACK FILLER PLATES

ORDERING DESCRIPTION: FILLER PANEL, 19" RACK, 1/8" ALUMINUM, PAINTED GRAY, XX RU

PACKAGING & MARKETING: ITEMS SHALL BE SUITABLY PACKAGED TO PREVENT DAMAGE. THE CONTAINER SHALL BE CONVENIENT FOR HANDLING AND STORAGE. MANUFACTURE'S NAME OR SYMBOL AND CATALOG NUMBER SHALL BE ON EACH PART OR (AND) IT'S PACKAGING.

SHIPPING: NA

APPROVED MANUFACTURES:

PUD IDENTIFICATION		MANUFACTURER CATALOG NUMBER		
STOCK DESCRIPTION	STOCK #	CHATSWORTH	MFG#2	MFG#3
FILLER PANEL# 1U, 19" RACK, GREY	100526	30026-101		
FILLER PANEL# 2U, 19" RACK, GREY	100527	30026-102		
FILLER PANEL# 3U, 19" RACK, GREY	100528	30026-103		
FILLER PANEL# 4U, 19" RACK, GREY	100529	30026-104		
FILLER PANEL# 5U, 19" RACK, GREY	100530	30026-105		
FILLER PANEL# 6U, 19" RACK, GREY	100531	30026-106		
FILLER PANEL# 7U, 19" RACK, GREY	100532	30026-107		
FILLER PANEL# 8U, 19" RACK, GREY	100533	30026-108		
FILLER PANEL# 9U, 19" RACK, GREY	100534	30026-109		
FILLER PANEL# 10U, 19" RACK, GREY	100535	30026-110		
FILLER PANEL# 11U, 19" RACK, GREY	100536	30026-111		
FILLER PANEL# 12U, 19" RACK, GREY	100537	30026-112		